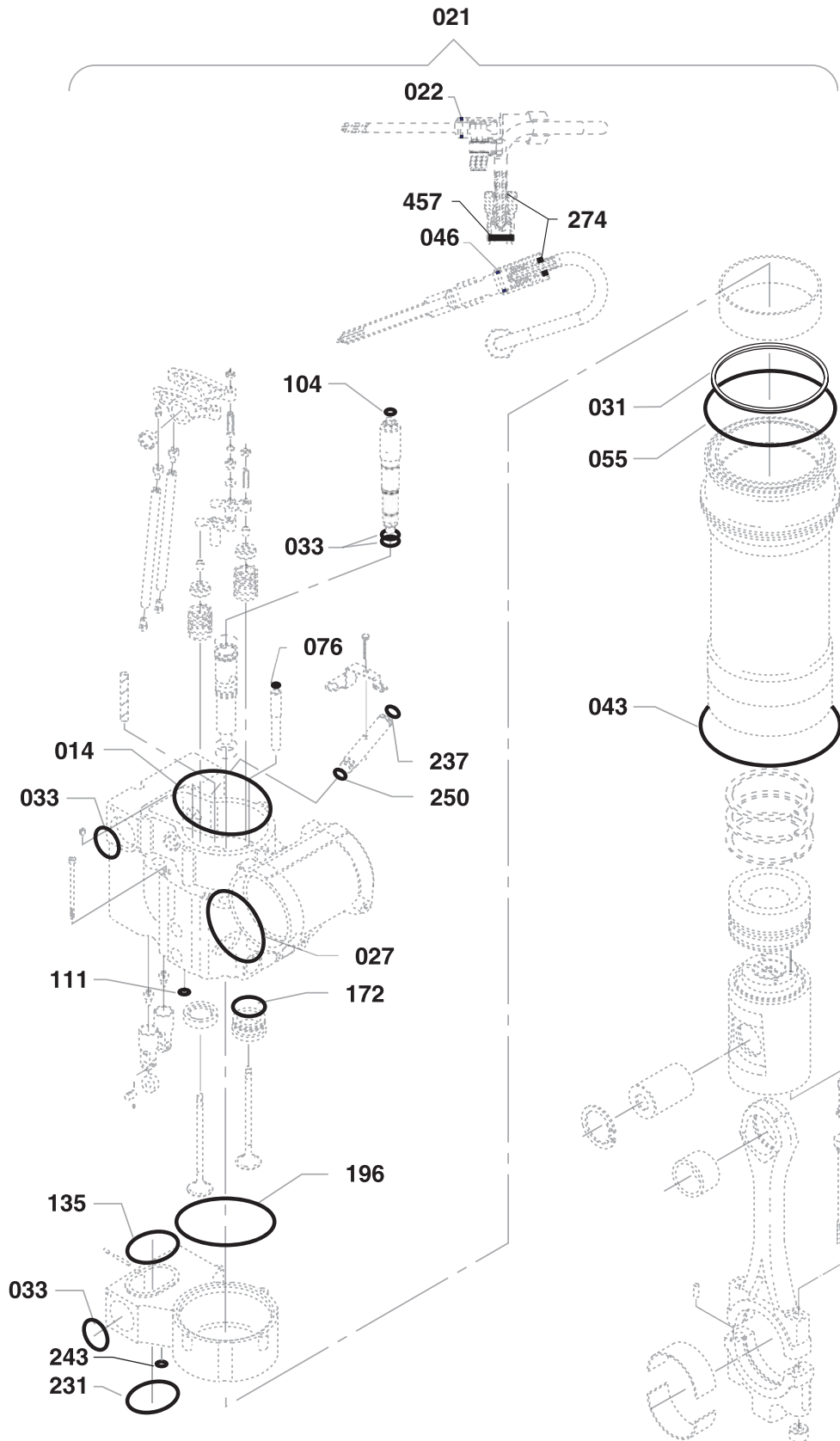


Kit Page 1 (2)	Kit for Cylinder Unit (Woodward)	51704-06
-------------------	---	-----------------

L16/24



08028-0D/H5250/94.08.12

51704-06

Kit for Cylinder Unit (Woodward)

Kit
Page 2 (2)

L16/24

Item No	Qty	Designation	Where to find in the engine instruction book	
021	1/C	Kit for cylinder unit, complete consisting of:		
	4/C	O-ring	Plate 50501	Item 076
	2/C	O-ring	Plate 50501	Item 111
	1/C	O-ring	Plate 50501	Item 135
	2/C	O-ring	Plate 50501	Item 172
	1/C	O-ring	Plate 50501	Item 196
	1/C	O-ring	Plate 50501	Item 231
	2/C	O-ring	Plate 50501	Item 243
	1/C	O-ring	Plate 50502	Item 237
	1/C	O-ring	Plate 50502	Item 250
	1/C	O-ring	Plate 50510	Item 014
	1/C	Sealing ring	Plate 50610	Item 031
	1/C	O-ring	Plate 50610	Item 043
	1/C	O-ring	Plate 50610	Item 055
	2/C	O-ring	Plate 51230	Item 027
	1/C	O-ring	Plate 51401	Item 457
	2/V	O-ring	Plate 51402	Item 033
	1/V	O-ring	Plate 51402	Item 104
	1/C	O-ring	Plate 51404	Item 022
	1/C	O-ring	Plate 51404	Item 046
	2/C	O-ring	Plate 51404	Item 274
	4/C	Seal ring	Plate 51630	Item 033
		<i>Please Note</i> that this is a kit supply, and that any exceeding number of o-rings and gaskets are not accepted as return goods.		
		* = Only available as part of a spare parts kit.		

Qty/C = Qty/Cylinder
 Qty/V = Qty/Valve
 Qty/I = Qty/individual