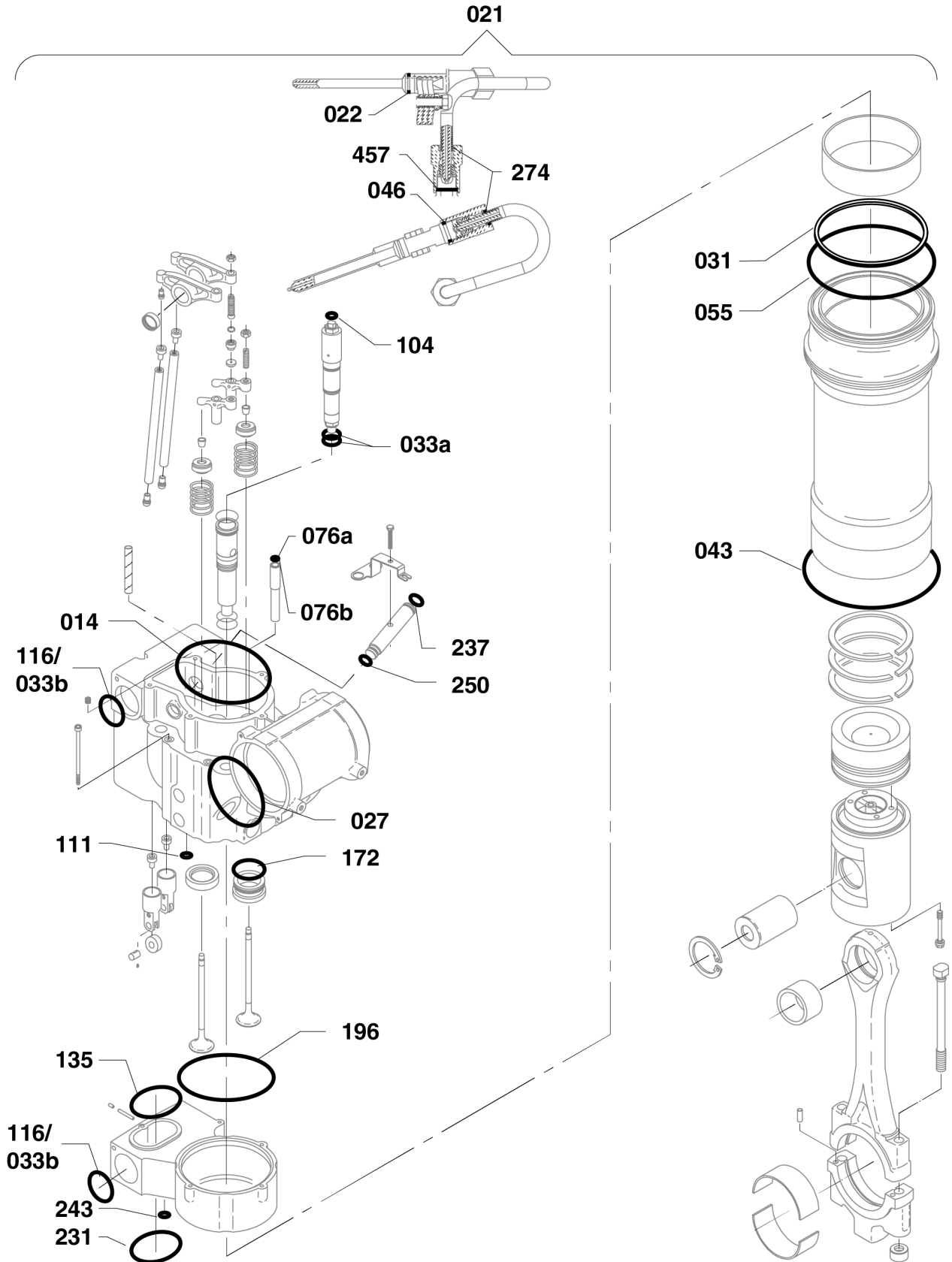


L16/24, L16/24S



P51704-07	Kit for cylinder unit	Spare Part Kit Plate Page 2 (2)
------------------	------------------------------	------------------------------------

L16/24, L16/24S

Item No.	Qty	Item Designation	Where to find in the engine instruction book	
021 ¹⁾	1/C	Kit per cylinder unit, complete consisting of:		
	4	O-ring	P50501	076a
	4	O-ring ²⁾	P50501	076b
	2	O-ring	P50501	111
	1	O-ring	P50501	135
	2	O-ring	P50501	172
	1	O-ring	P50501	196
	1	O-ring	P50501	231
	2	O-ring	P50501	243
	1	O-ring	P50502	237
	1	O-ring	P50502	250
	1	O-ring	P50510	014
	1	Sealing ring	P50610	031
	1	O-ring	P50610	043
	1	O-ring	P50610	055
	3	O-ring	P51230	027
	1	O-ring	P51401	457
	2	O-ring	P51402	033a
	1	O-ring	P51402	104
	1	O-ring	P51404	022
	1	O-ring	P51404	046
	2	O-ring	P51404	274
	2	Seal ring	P51630	033b
	4	Seal ring	P51630	116

When ordering spare parts, see also page 500.50/600.50/Preface.

* = Only available as part of a spare parts kit/not available separately

Qty/C = Qty/Cylinder

Note

¹⁾ Please note that this is a kit supply and that any exceeding number of O-rings and gaskets are not accepted as return goods.

²⁾ Use this O-ring together with work card 505-01.20 edition 15