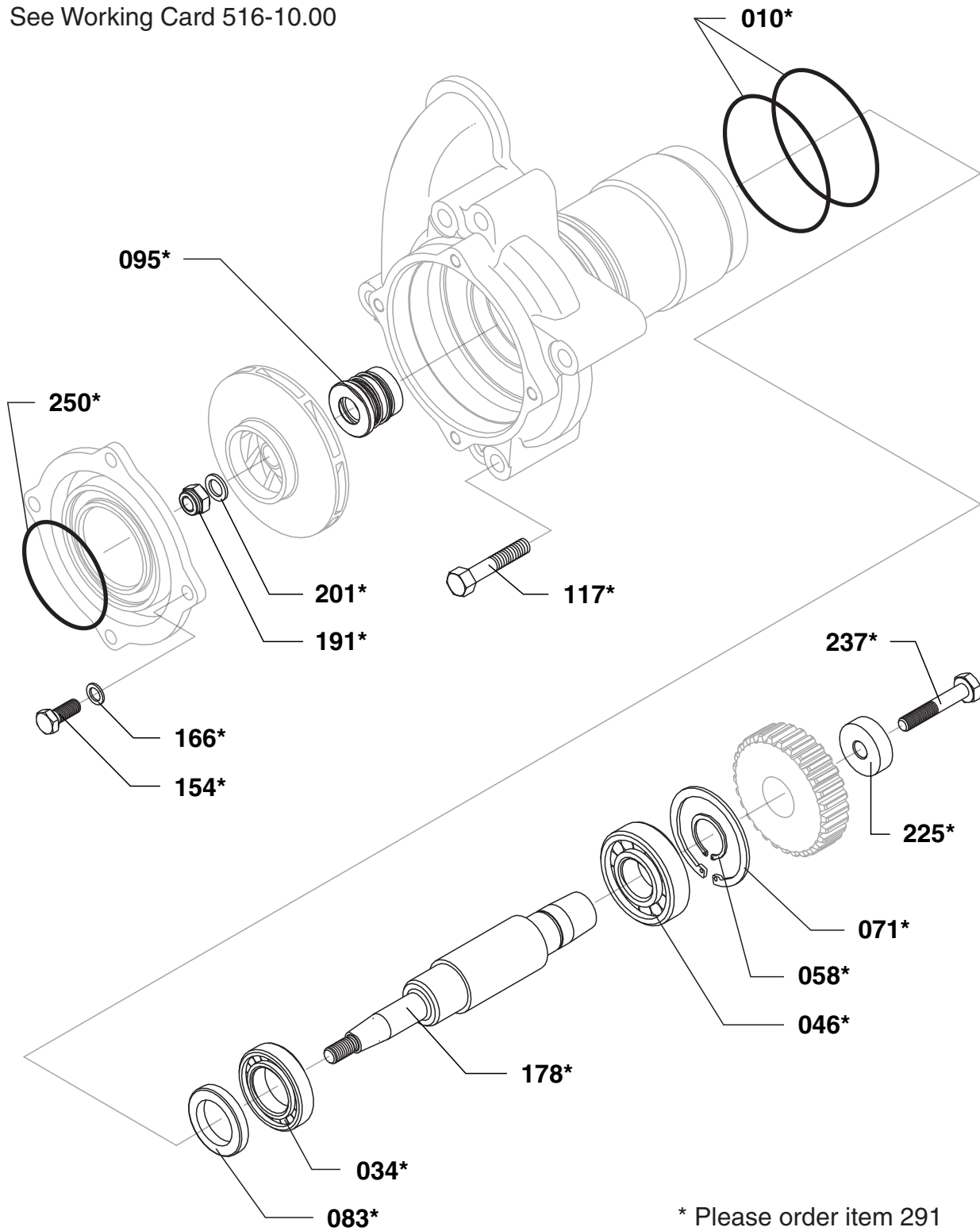


Kit Page 1 (2)	Kit for High and Low Temperature Freshwater Pumps	51710-03
-------------------	--	-----------------

L16/24

See Working Card 516-10.00



* Please order item 291

51710-03	Kit for High and Low Temperature Freshwater Pumps	Kit Page 2 (2)
-----------------	--	-------------------

L16/24

Item No	Qty	Designation	Where to find in the engine instruction book	
291	1/P	Kit for freshwater pump, incl item 010, 034, 046, 058, 071, 083, 095, 117, 154, 166, 178, 191, 201, 225, 237 and 250	Plate 51610	
	2/P	O-ring	Plate 51610	Item 010
	1/P	Depp groove ball bearing	Plate 51610	Item 034
	1/P	Ball bearing	Plate 51610	Item 046
	1/P	Retaining ring	Plate 51610	Item 058
	1/P	Retaining ring	Plate 51610	Item 071
	1/P	Shaft seal	Plate 51610	Item 083
	1/P	Slide ring joint	Plate 51610	Item 095
	4/P	Screw	Plate 51610	Item 117
	4/P	Screw	Plate 51610	Item 154
	4/P	Lock washer	Plate 51610	Item 166
	1/P	Shaft	Plate 51610	Item 178
	1/P	Self locking nut	Plate 51610	Item 191
	1/P	Disc	Plate 51610	Item 201
	1/P	Washer	Plate 51610	Item 225
	1/P	Screw	Plate 51610	Item 237
	1/P	O-ring	Plate 51610	Item 250
<p><i>Please Note</i> that this is a kit supply, and that any exceeding number of o-rings and gaskets are not accepted as return goods.</p>				

Qty/P = Qty/Pump