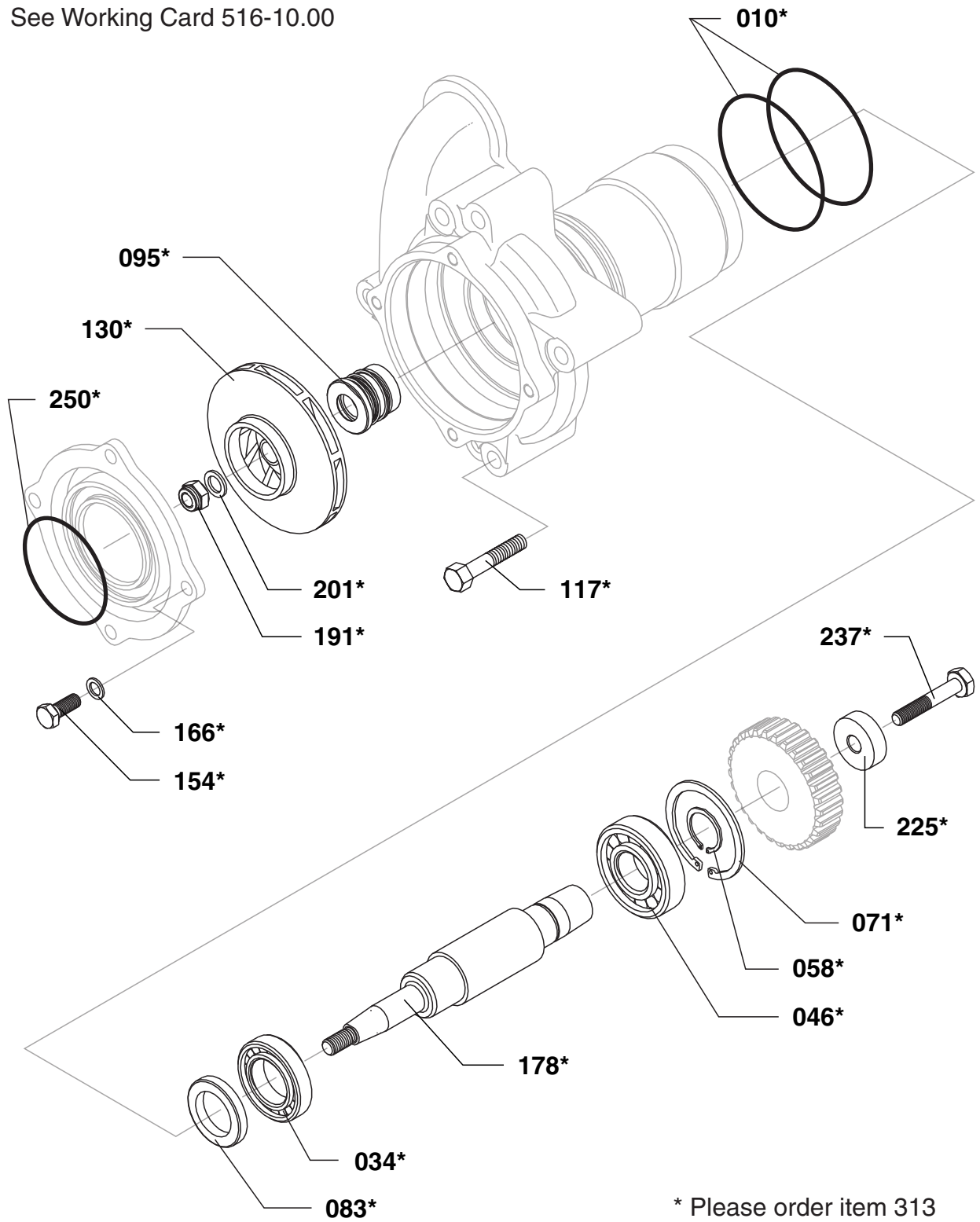


| | | |
|-------------------|---|-----------------|
| Kit Page 1 (2) | Kit for Upgrading of High and Low Temperature Freshwater Pumps | 51710-05 |
|-------------------|---|-----------------|

L16/24

See Working Card 516-10.00



* Please order item 313

51710-05

Kit for Upgrading of High and Low Temperature Freshwater Pumps

 Kit
Page 2 (2)

L16/24

| Item No | Qty | Designation | Where to find in the engine instruction book | |
|---------|-----|---|--|----------|
| 313 | | Kit per upgrading of freshwater pump, incl item 010, 034, 046, 058, 071, 083, 095, 117, 130, 154, 166, 178, 191, 201, 225, 237 and 250 | | |
| | 2 | O-ring | Plate 51610 | Item 010 |
| | 1 | Depp groove ball bearing | Plate 51610 | Item 034 |
| | 1 | Ball bearing | Plate 51610 | Item 046 |
| | 1 | Retaining ring | Plate 51610 | Item 058 |
| | 1 | Retaining ring | Plate 51610 | Item 071 |
| | 1 | Shaft seal | Plate 51610 | Item 083 |
| | 1 | Slide ring joint | Plate 51610 | Item 095 |
| | 4 | Screw | Plate 51610 | Item 117 |
| | 1 | Impeller | Plate 51610 | Item 130 |
| | 4 | Screw | Plate 51610 | Item 154 |
| | 4 | Lock washer | Plate 51610 | Item 166 |
| | 1 | Shaft | Plate 51610 | Item 178 |
| | 1 | Self locking nut | Plate 51610 | Item 191 |
| | 1 | Disc | Plate 51610 | Item 201 |
| | 1 | Washer | Plate 51610 | Item 225 |
| | 1 | Screw | Plate 51610 | Item 237 |
| | 1 | O-ring | Plate 51610 | Item 250 |
| | | <p><i>Please Note</i> that this is a kit supply, and that any exceeding number of o-rings and gaskets are not accepted as return goods.</p> | | |