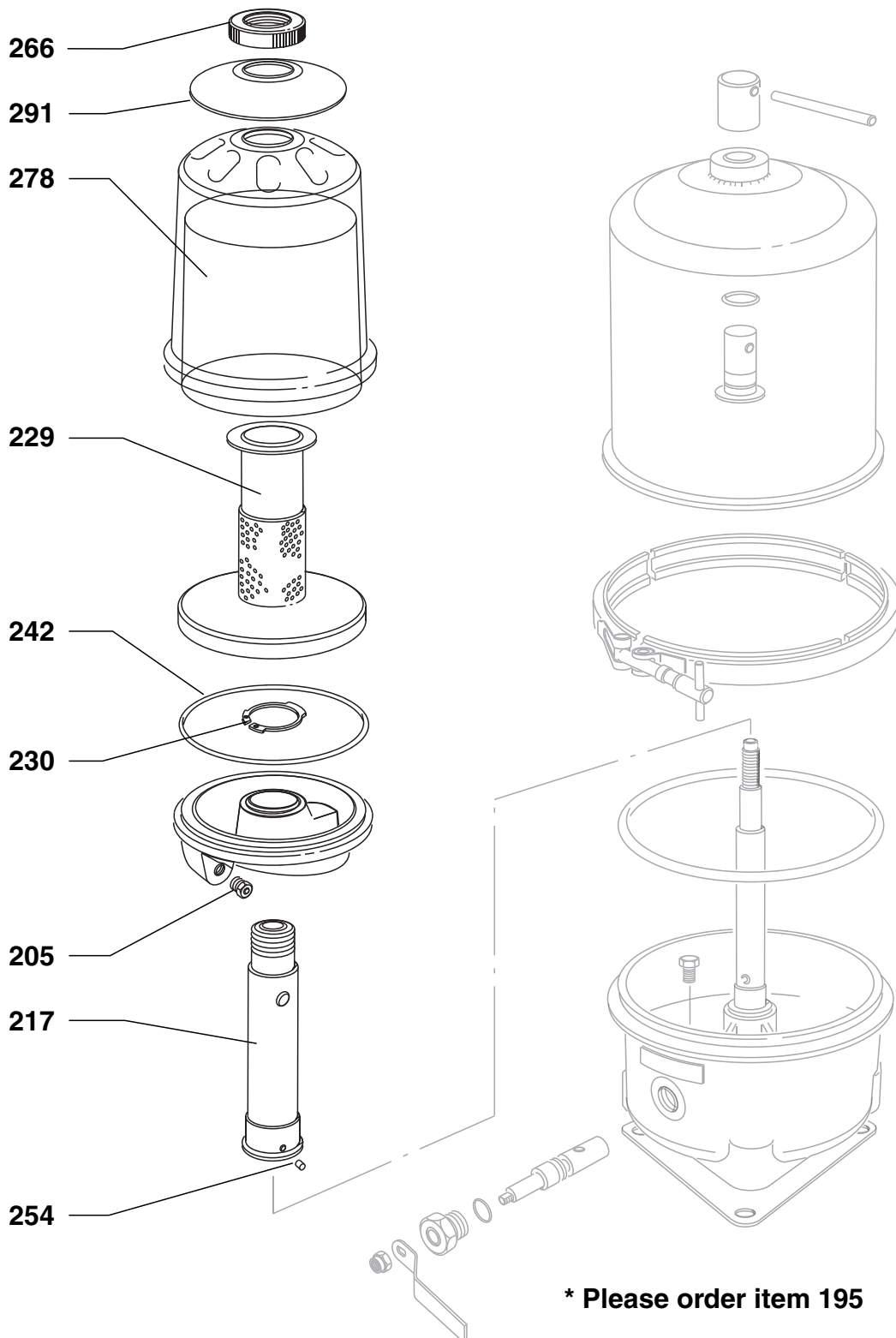


L16/24

See Working Card 515-15.00



08028-0D/H5250/94.08.12

51716-02	Kit for Rotor, Centrifugal By-pass Filter	Kit Page 2 (2)
----------	--	-------------------

L16/24

Item No	Qty	Designation	Where to find in the engine instruction book	
195	1/F	Cover nut kit, incl item 205, 217, 229, 230, 242, 254, 266, 278, 291	Plate 51515	
	1/F	Nozzle	Plate 51515	Item 205
	1/F	Bearing tube	Plate 51515	Item 217
	1/F	Stand tube	Plate 51515	Item 229
	1/F	Circlip	Plate 51515	Item 230
	1/F	Rotor O-ring	Plate 51515	Item 242
	1/F	Pin	Plate 51515	Item 254
	1/F	Rotor cover nut	Plate 51515	Item 266
	1/F	Paper insert	Plate 51515	Item 278
	1/F	Stiffner plate	Plate 51515	Item 291
<p><i>Please Note</i> that this is a kit supply, and that any exceeding number of o-rings and gaskets are not accepted as return goods.</p>				

Qty/F = Qty/Filter