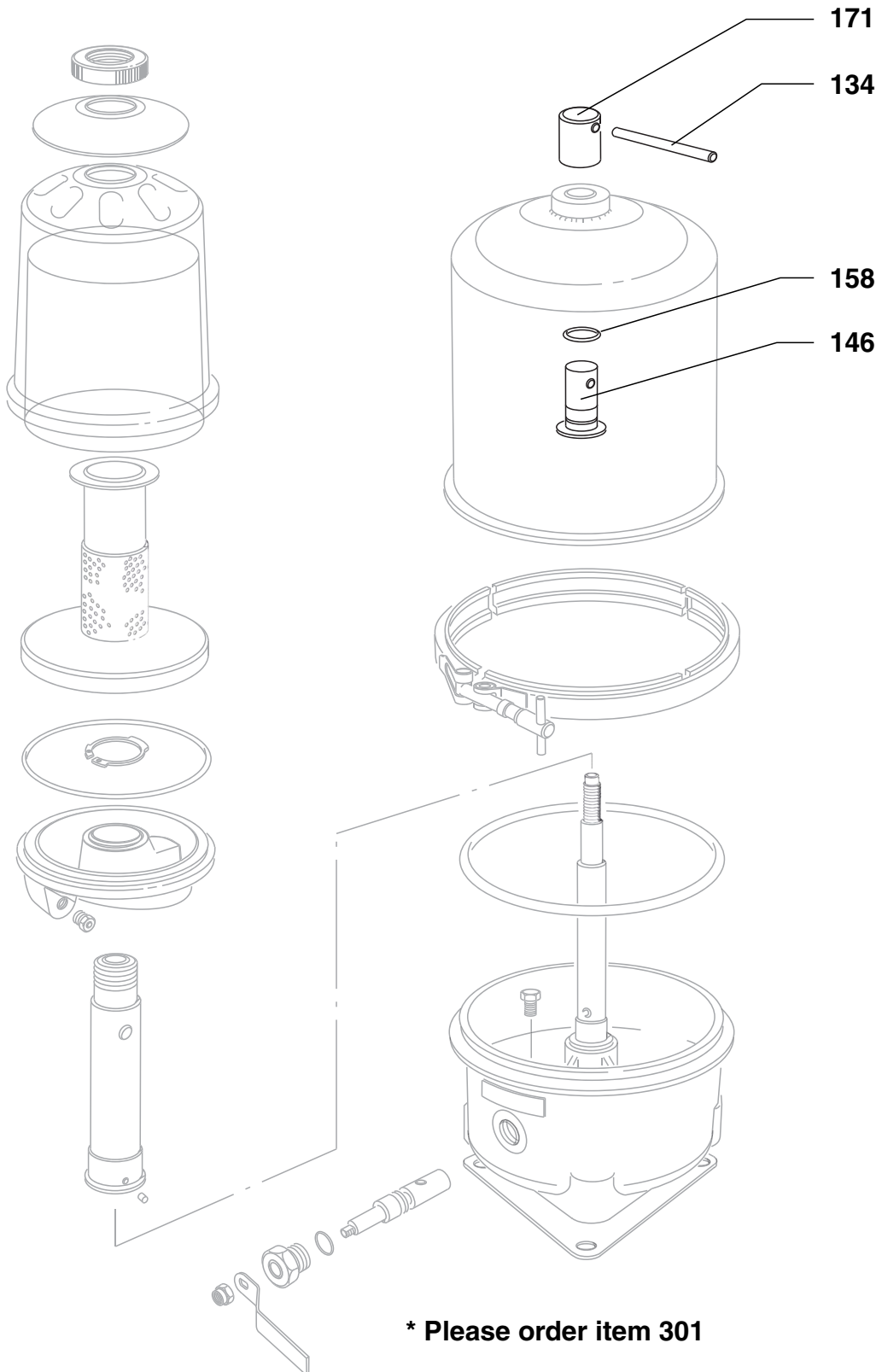


L16/24

See Working Card 515-15.00



08028-0D/H5250/94.08.12

| | | |
|----------|--|-------------------|
| 51717-02 | Kit for Cover Nut, Centrifugal By-pass Filter | Kit Page 2 (2) |
|----------|--|-------------------|

L16/24

| Item No | Qty | Designation | Where to find in the engine instruction book | |
|---|-----|--|--|----------|
| 301 | 1/F | Cover nut kit, incl item 134, 146, 158, 171 | Plate 51515 | |
| | 1/F | Cover nut pin | Plate 51515 | Item 134 |
| | 1/F | Cover fixing nut | Plate 51515 | Item 146 |
| | 1/F | Cover nut O-ring | Plate 51515 | Item 158 |
| | 1/F | Cover nut collar | Plate 51515 | Item 171 |
| <p><i>Please Note</i> that this is a kit supply, and that any exceeding number of o-rings and gaskets are not accepted as return goods.</p> | | | | |

Qty/F = Qty/Filter