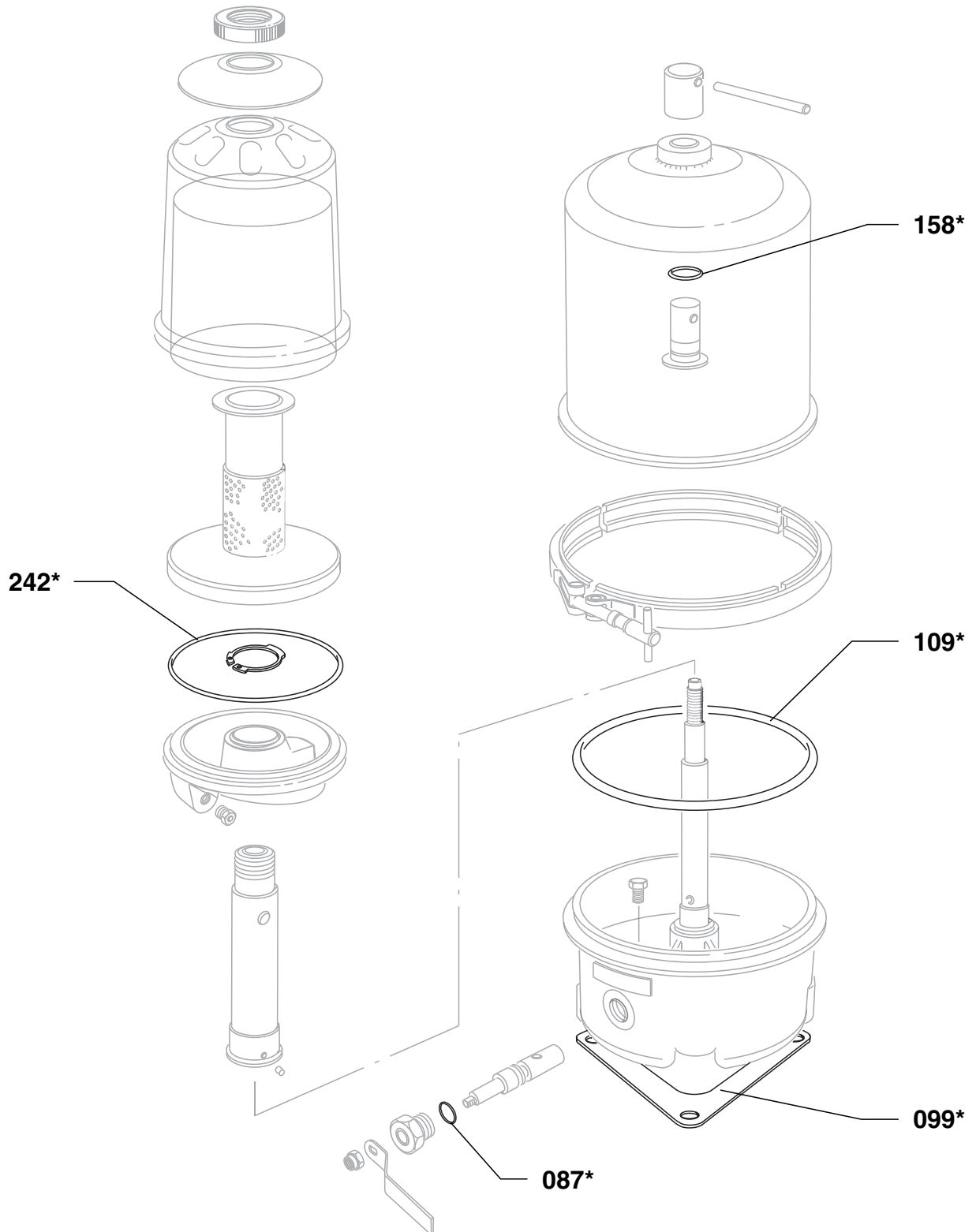


L16/24

See Working Card 515-15.00



08028-0D/H5250/94.08.12

*** Please order item 325**

51719-02	Kit for Seals, Centrifugal By-pass Filter	Kit Page 2 (2)
----------	--	-------------------

L16/24

Item No	Qty	Designation	Where to find in the engine instruction book	
325	1/F	Seals kit, incl item 087, 099, 109, 158, 242	Plate 51515	
	1/F	Valve seal	Plate 51515	Item 087
	1/F	Flange gasket	Plate 51515	Item 099
	1/F	Filter body O-ring	Plate 51515	Item 109
	1/F	Cover nut ring	Plate 51515	Item 158
	1/F	Rotor O-ring	Plate 51515	Item 242
<p><i>Please Note</i> that this is a kit supply, and that any exceeding number of o-rings and gaskets are not accepted as return goods.</p>				

Qty/F = Qty/Filter