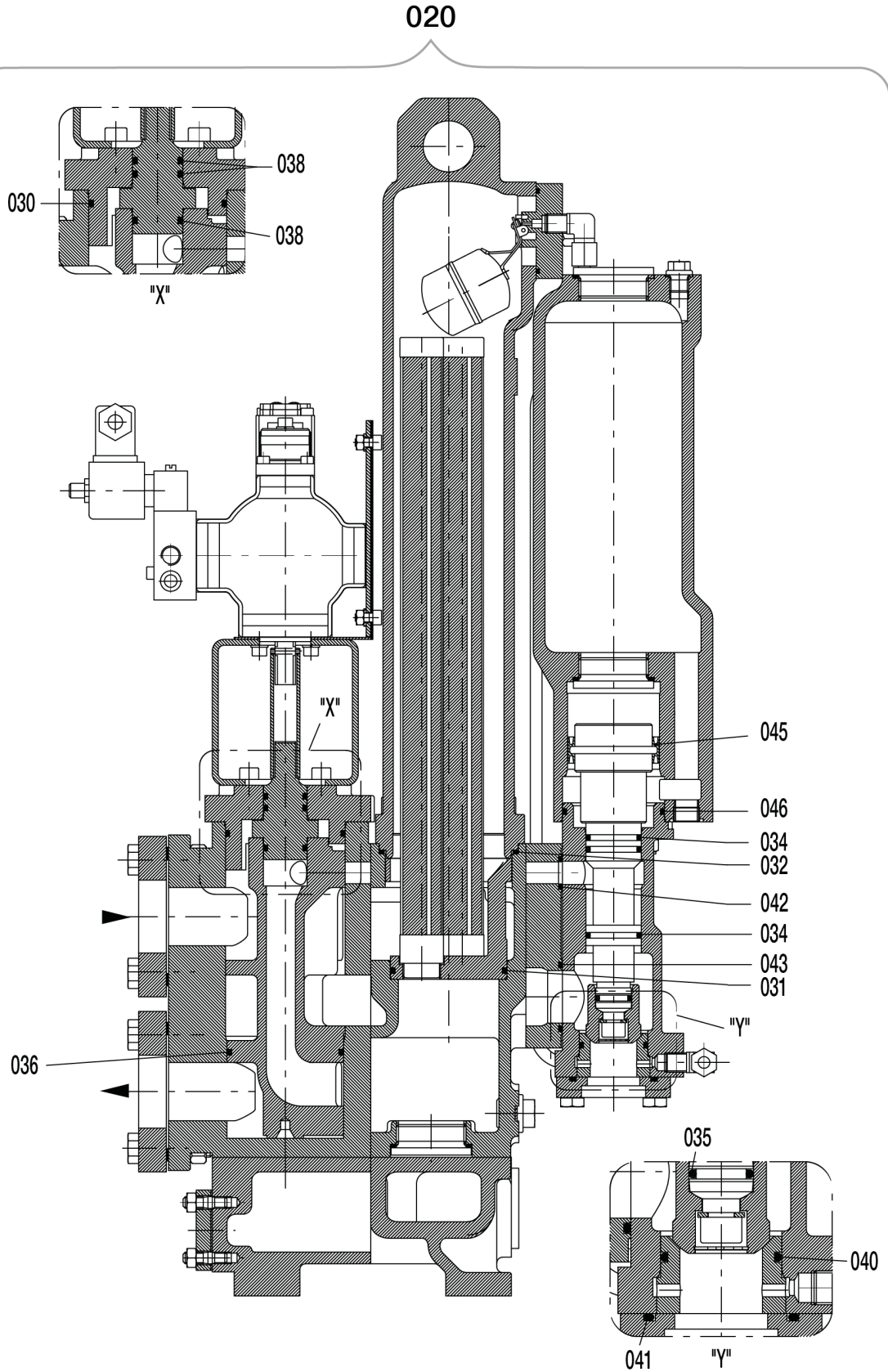


L16/24, L16/24S, L21/31, L21/31S, L23/30H, L23/30S, L27/38, L27/38S, L28/32S



P51721-01	Kit for automatic back-flush filter	Spare Part Kit Plate Page 2 (2)
------------------	--	------------------------------------

L16/24, L16/24S, L21/31, L21/31S, L23/30H, L23/30S, L27/38, L27/38S, L28/32S

Item No.	Qty	Item Designation	Where to find in the engine instruction book	
020 ¹⁾	1/F	Kit for complete automatic back-flush filter, consisting of:		
	1	O-ring	P51721	030
	2	O-ring	P51721	031
	2	O-ring	P51721	032
	3	O-ring	P51721	034
	1	O-ring	P51721	035
	1	O-ring	P51721	036
	3	O-ring	P51721	038
	1	O-ring	P51721	040
	1	O-ring	P51721	041
	1	O-ring	P51721	042
	1	O-ring	P51721	043
	1	Double grooved ring	P51721	045
	1	O-ring	P51721	046

When ordering spare parts, see also page 500.50/600.50/Preface.

Note

¹⁾ Please Note that this is a kit supply, and that any exceeding number of o-rings and gaskets are not accepted as return goods.

* = Only available as part of a spare parts kit/not available separately

Qty/F = Qty/Filter