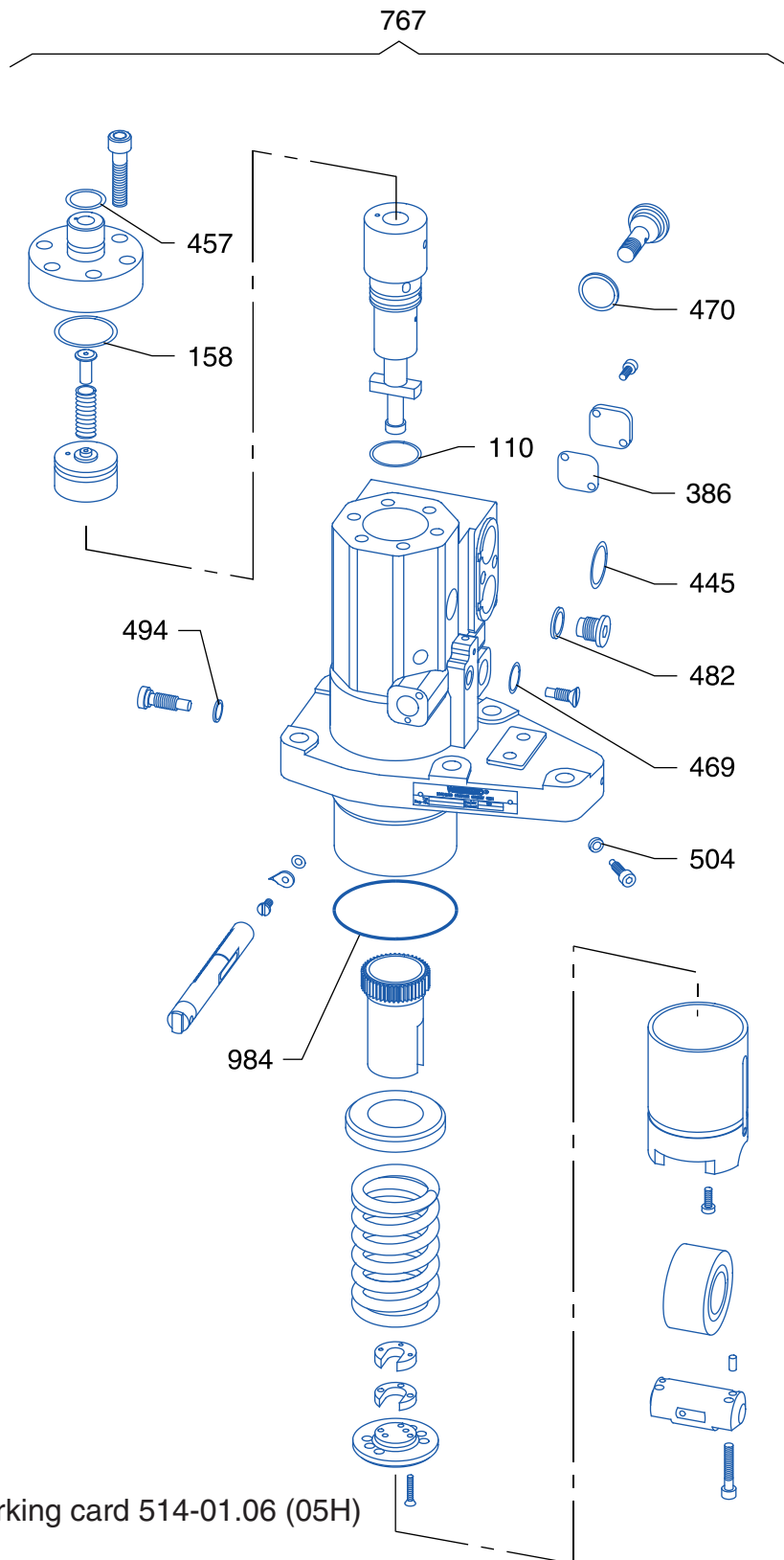


Kit Page 1 (2)	Kit for Fuel Injection Pump (Woodward)	51730-04
-------------------	---	-----------------

L16/24



08028-0D/H5250/94.08.12

51730-04

Kit for Fuel Injection Pump (Woodward)

Kit
Page 2 (2)

L16/24

Item No	Qty	Designation	Where to find in the engine instruction book	
767	1/C	Kit for Fuel injection pump, complete consisting of:		
	2/P	O-ring	Plate 51401	Item 110
	1/P	O-ring	Plate 51401	Item 158
	1/P	Sealing	Plate 51401	Item 386
	4/P	O-ring	Plate 51401	Item 445
	1/P	O-ring	Plate 51401	Item 457
	2/P	O-ring	Plate 51401	Item 469
	2/P	Seal ring	Plate 51401	Item 470
	2/P	Seal ring	Plate 51401	Item 482
	1/P	Seal ring	Plate 51401	Item 494
	1/P	Seal ring	Plate 51401	Item 504
	1/C	O-ring	Plate 51401	Item 984
		<i>Please Note</i> that this is a kit supply, and that any exceeding number of o-rings and gaskets are not accepted as return goods.		

Qty/C = Qty/Cylinder
 Qty/P = Qty/Pump