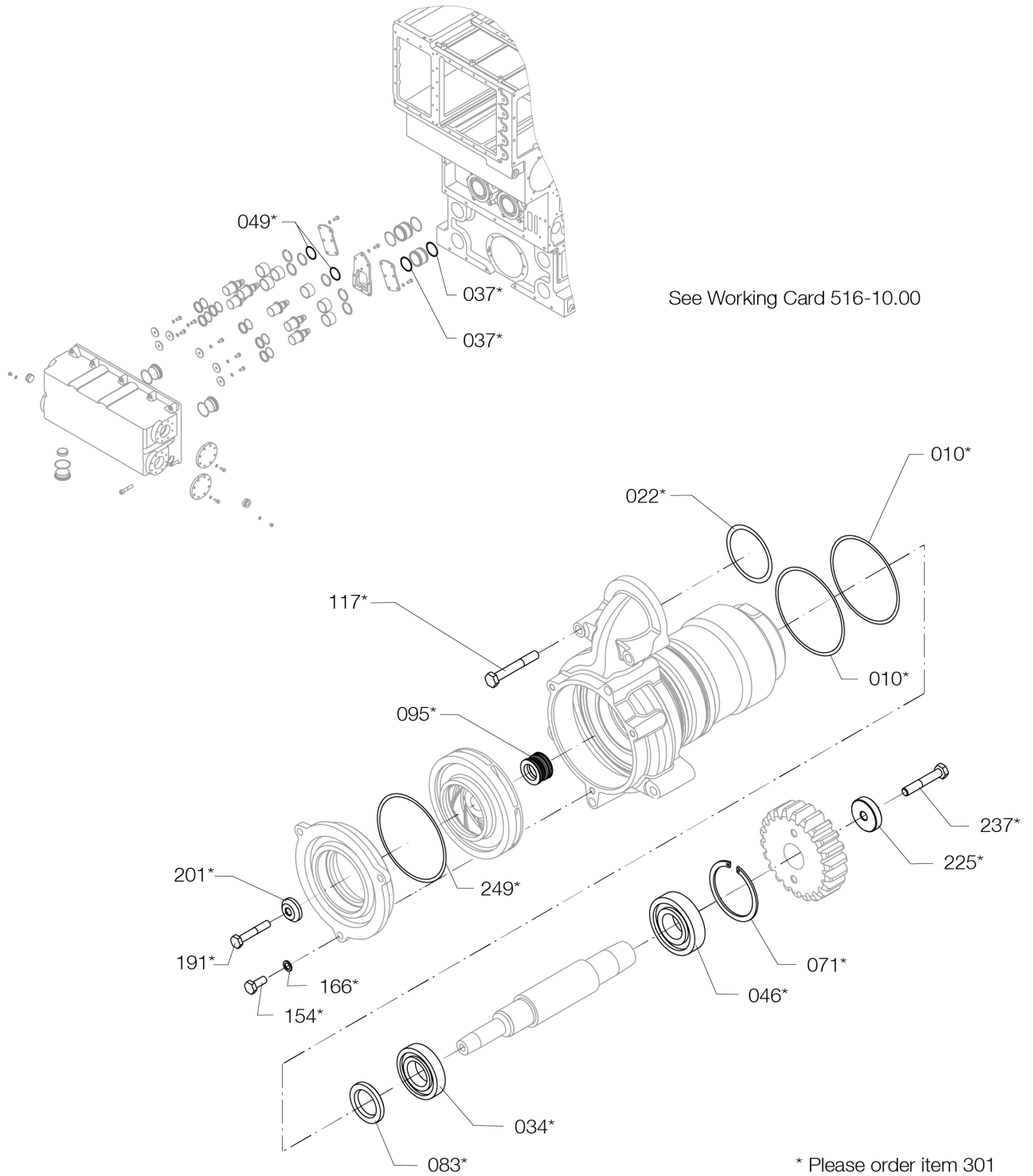


L21/31, L21/31S



P51710-07	<b>Kit for high/low temperature freshwater pump</b>	Spare Part Kit Plate Page 2 (2)
-----------	---	------------------------------------

**L21/31, L21/31S**

Item No.	Qty	Item Designation	Where to find in the engine instruction book	
301 <sup>1)</sup>	1/P	Kit per freshwater pump, consisting of:		
	2	O-ring	P51610	010
	1	O-ring	P51610	022
	1	Depp groove ball bearing	P51610	034
	1	Ball bearing	P51610	046
	1	Retaining ring	P51610	071
	1	Shaft seal	P51610	083
	1	Slide ring joint	P51610	095
	4	Screw	P51610	117
	3	Screw	P51610	154
	3	Lock washer	P51610	166
	1	Self locking nut	P51610	191
	1	Disc	P51610	201
	1	Washer	P51610	225
	1	Screw	P51610	237
	1	O-ring	P51610	249
	4	O-ring	P51605	037
	2	O-ring	P51605	049

When ordering spare parts, see also page 500.50/600.50/Preface.

Note

<sup>1)</sup> Please note that this is a kit supply and that any exceeding number of O-rings and gaskets are not accepted as return goods.

\* = Only available as part of a spare parts kit/not available separately

Qty/P = Qty/Pump