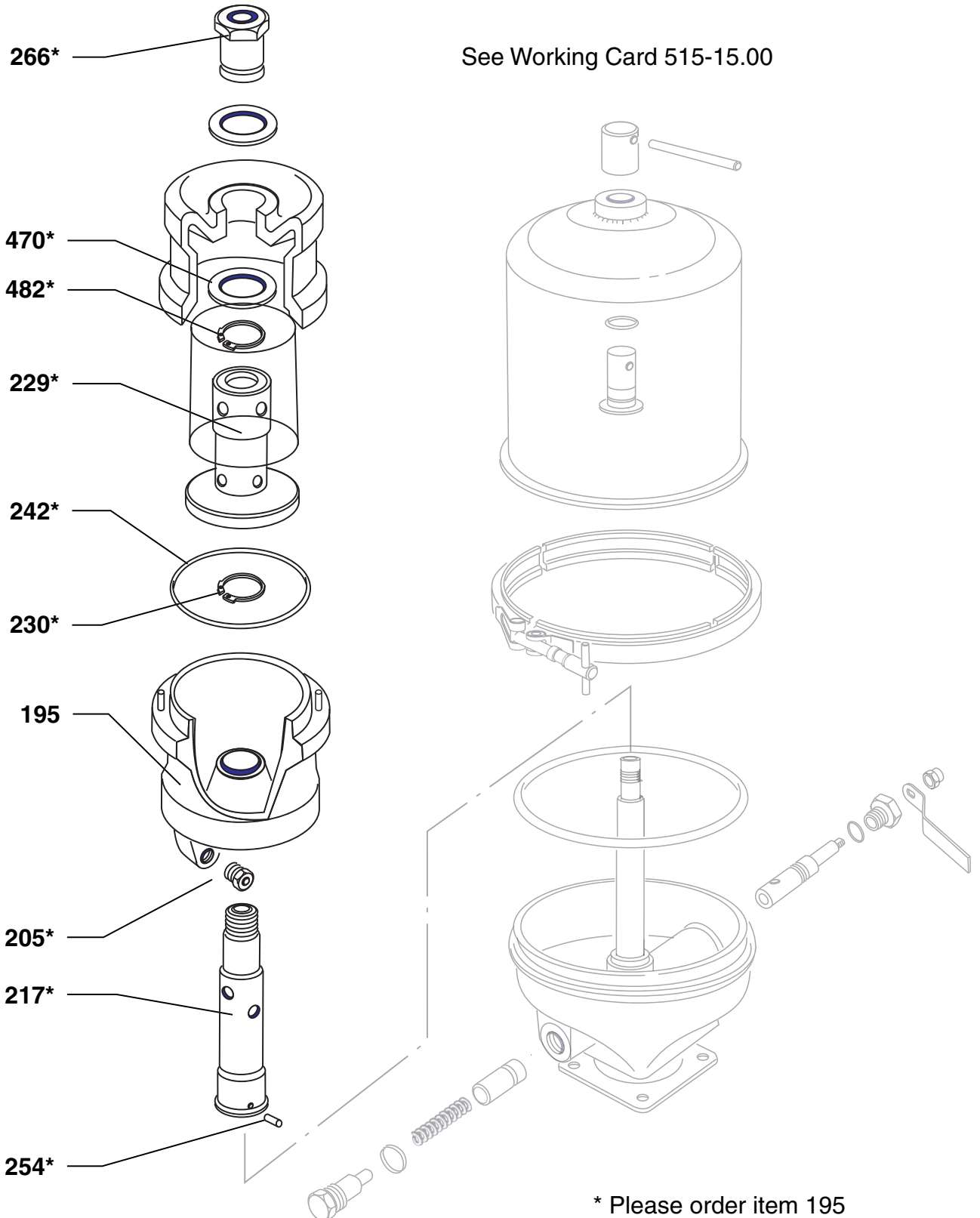


**L27/38
L21/31**



08028-0D/H5250/94.08.12

51716-01	Kit for Rotor, Centrifugal By-pass Filter	Kit Page 2 (2)
----------	--------------------------------------------------	-------------------

L27/38
L21/31

Item No	Qty	Designation	Where to find in the engine instruction book	
195	1/F	Rotor, complete incl item 205, 217, 229, 230, 242, 254, 266, 470, 482	Plate 51515	
	2/F	Nozzle	Plate 51515	Item 205
	1/F	Bearing tube	Plate 51515	Item 217
	1/F	Stand tube	Plate 51515	Item 229
	1/F	Circlip	Plate 51515	Item 230
	1/F	Rotor O-ring	Plate 51515	Item 242
	1/F	Pin	Plate 51515	Item 254
	1/F	Rotor cover nut	Plate 51515	Item 266
	2/F	Washer	Plate 51515	Item 470
	1/F	Circlip	Plate 51515	Item 482
<i>Please Note</i> that this is a kit supply, and that any exceeding number of o-rings and gaskets are not accepted as return goods.				

Qty/F = Qty/Filter