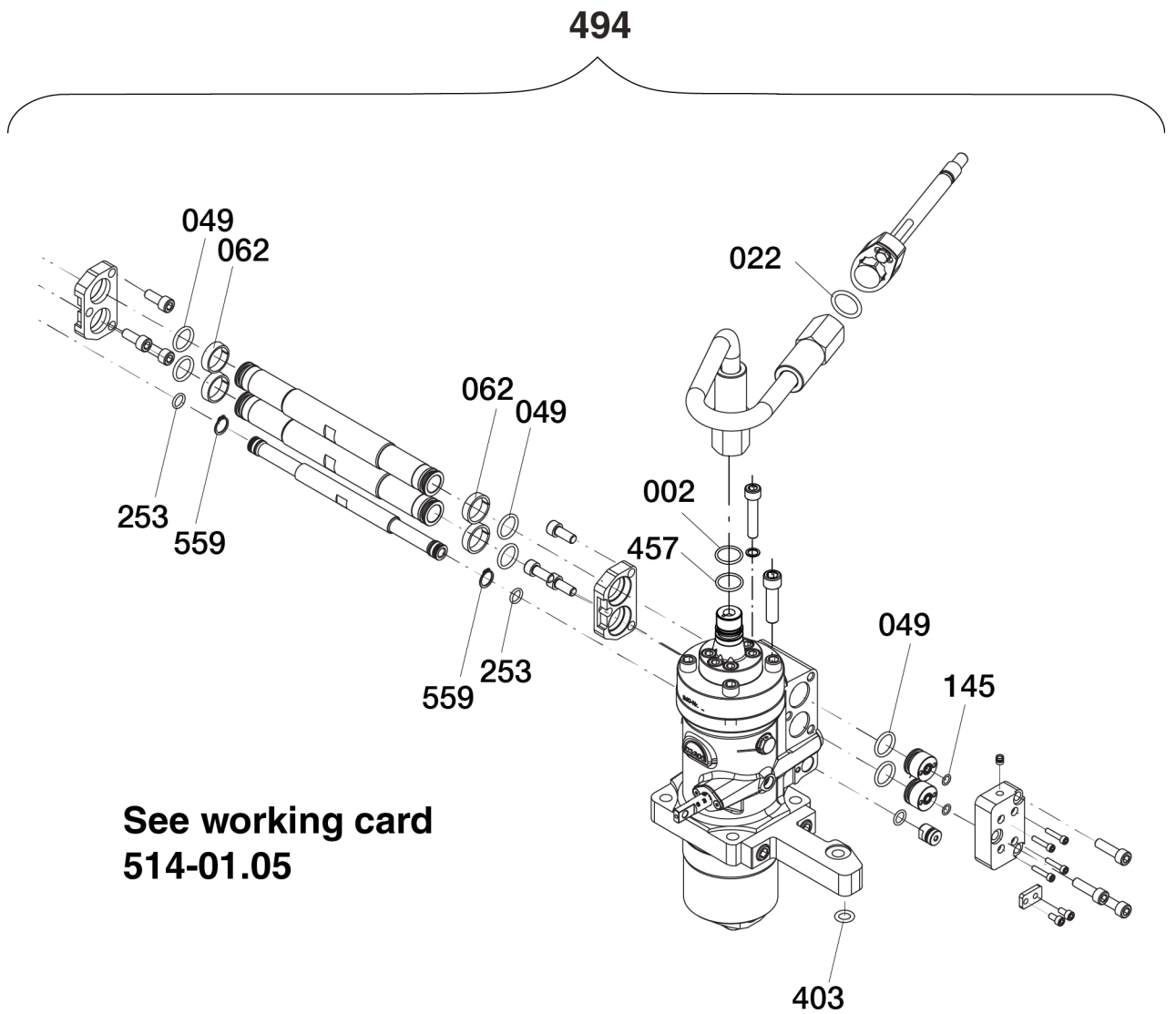


L21/31, L21/31S



| | | |
|-----------|--|------------------------------------|
| P51732-10 | Kit for fuel injection pump connections | Spare Part Kit Plate Page 2 (2) |
|-----------|--|------------------------------------|

L21/31, L21/31S

| Item No. | Qty | Item Designation | Where to find in the engine instruction book | |
|-------------------|-----|--|--|-----|
| 494 ¹⁾ | 1 | Kit for fuel injection pump connections, complete consisting of: | | |
| | 7 | Seal ring | P51401 | 002 |
| | 7 | Support ring | P51401 | 457 |
| | 7 | Seal ring | P51404 | 022 |
| | 30 | Seal ring | P51435 | 049 |
| | 26 | Support ring | P51435 | 062 |
| | 2 | Seal ring | P51435 | 145 |
| | 15 | Seal ring | P51435 | 253 |
| | 7 | Seal ring | P51435 | 403 |
| | 14 | Retaining ring | P51435 | 559 |

When ordering spare parts, see also page 500.50/600.50/Preface.

* = Only available as part of a spare parts kit/not available separately

Qty/E = Qty/Engine

Note

¹⁾ Please Note that this is a kit supply, and that any exceeding number of o-rings and gaskets are not accepted as return goods.