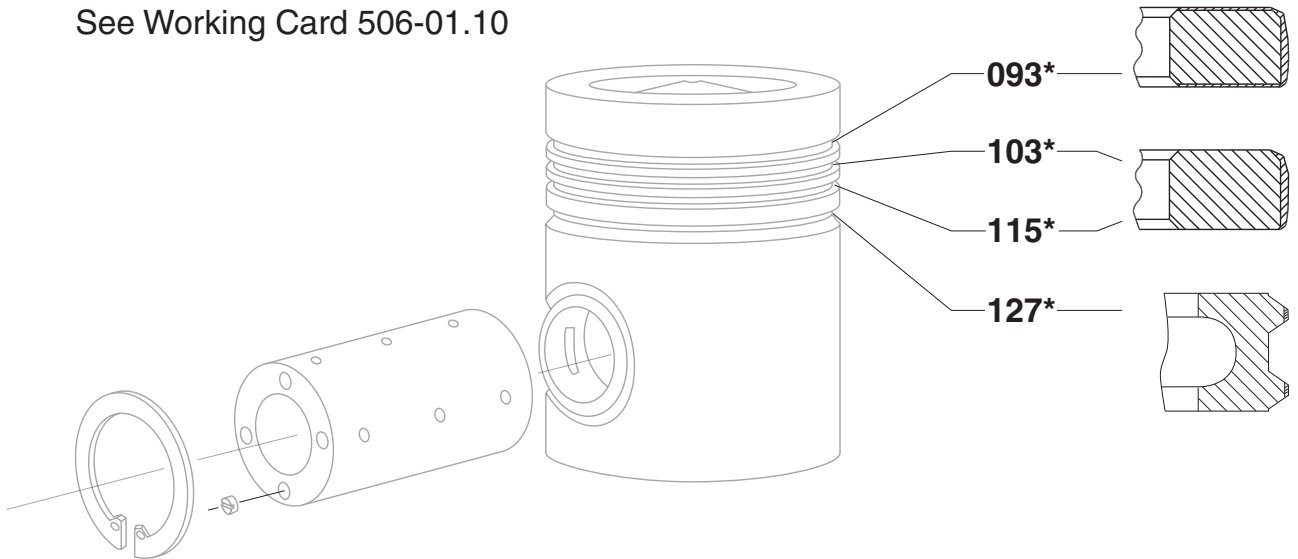


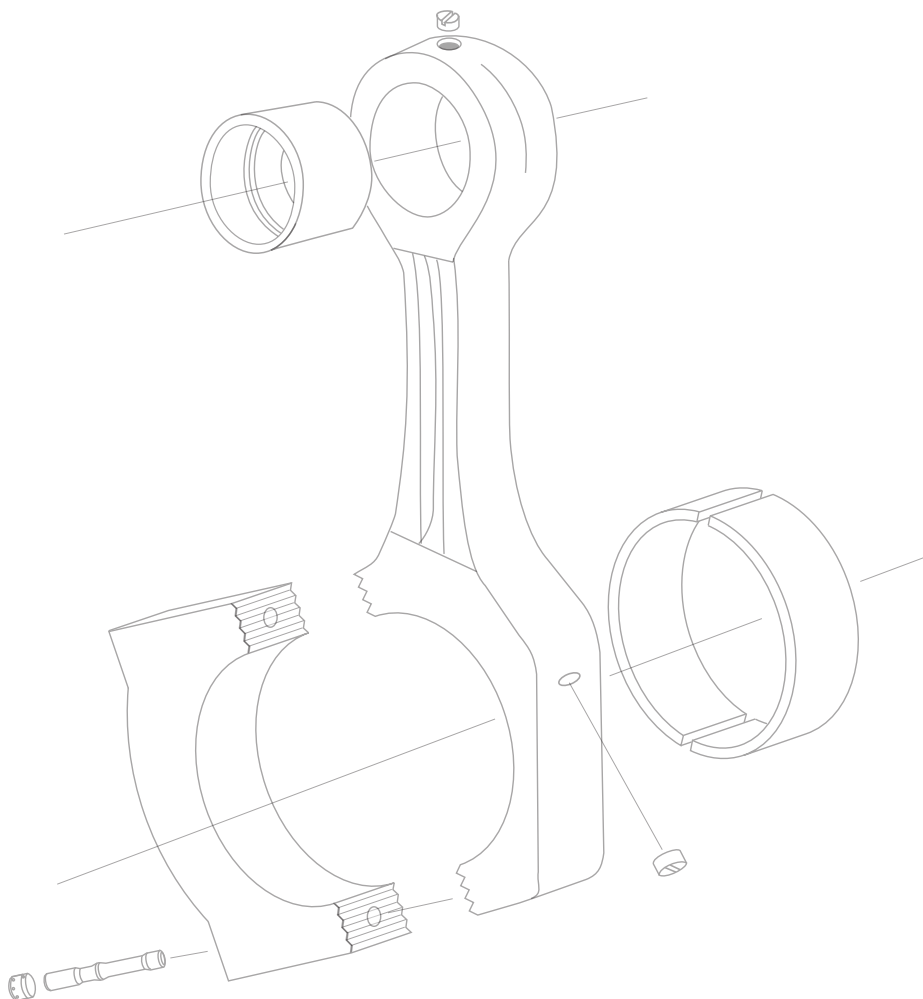
Kit Page 1 (2)	Kit for renewal of Piston Rings	51706-04
-------------------	--	-----------------

L23/30H
720/750/900 RPM

See Working Card 506-01.10



* Please order item 036



51706-04	Kit for renewal of Piston Rings	Kit Page 2 (2)
-----------------	--	-------------------

L23/30H

720/750/900 RPM

Item No	Qty	Designation	Where to find in the engine instruction book	
036	1/C	Kit for renewal of piston rings, incl item 093, 103, 115, and 127	Plate 50601	
	1/C	Piston ring	Plate 50601	Item 093
	1/C	Piston ring	Plate 50601	Item 103
	1/C	Piston ring	Plate 50601	Item 115
	1/C	Oil scraper ring	Plate 50601	Item 127
<p><i>Please Note</i> that this is a kit supply, and that any exceeding number of o-rings and gaskets are not accepted as return goods.</p>				

Qty/C = Qty/Cylinder