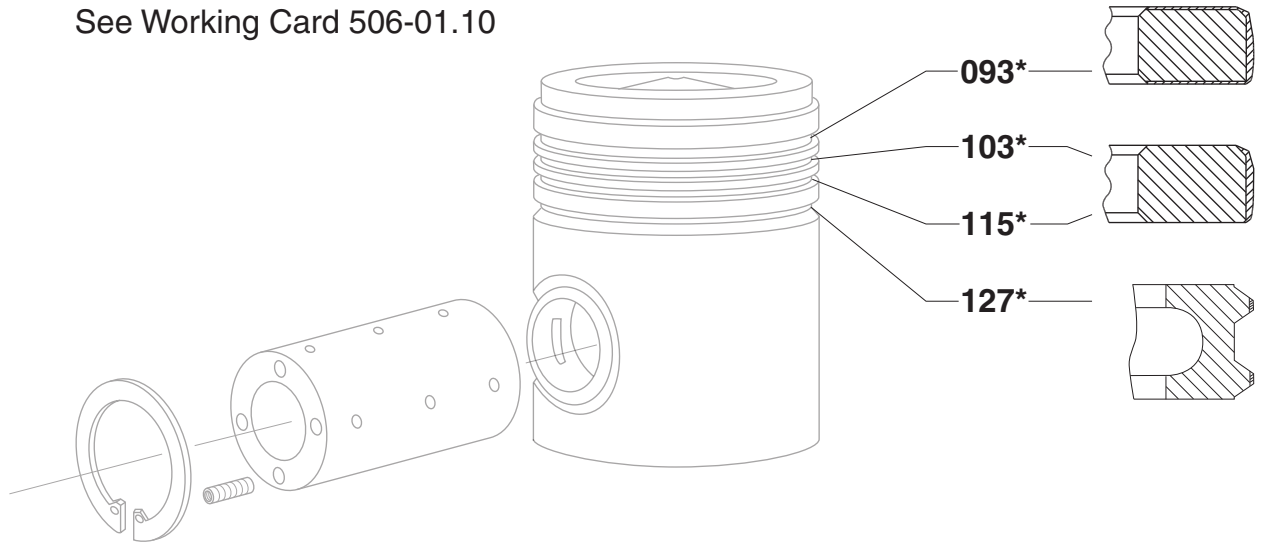


L23/30H
720/750/900 RPM

See Working Card 506-01.10



* Please order item 048

51706-05

Kit for renewal of Piston Rings and Flame Ring

Kit
Page 2 (2)**L23/30H**

720/750/900 RPM

Item No	Qty	Designation	Where to find in the engine instruction book	
048	1/C	Kit for renewal of piston rings and flame ring, incl item 092, 093, 103, 115, and 127	Plate 50601 and 50610	
	1/C	Piston ring	Plate 50601	Item 093
	1/C	Piston ring	Plate 50601	Item 103
	1/C	Piston ring	Plate 50601	Item 115
	1/C	Oil scraper ring	Plate 50601	Item 127
	1/C	Flame ring	Plate 50610	Item 092
<p><i>Please Note</i> that this is a kit supply, and that any exceeding number of o-rings and gaskets are not accepted as return goods.</p>				

Qty/C = Qty/Cylinder