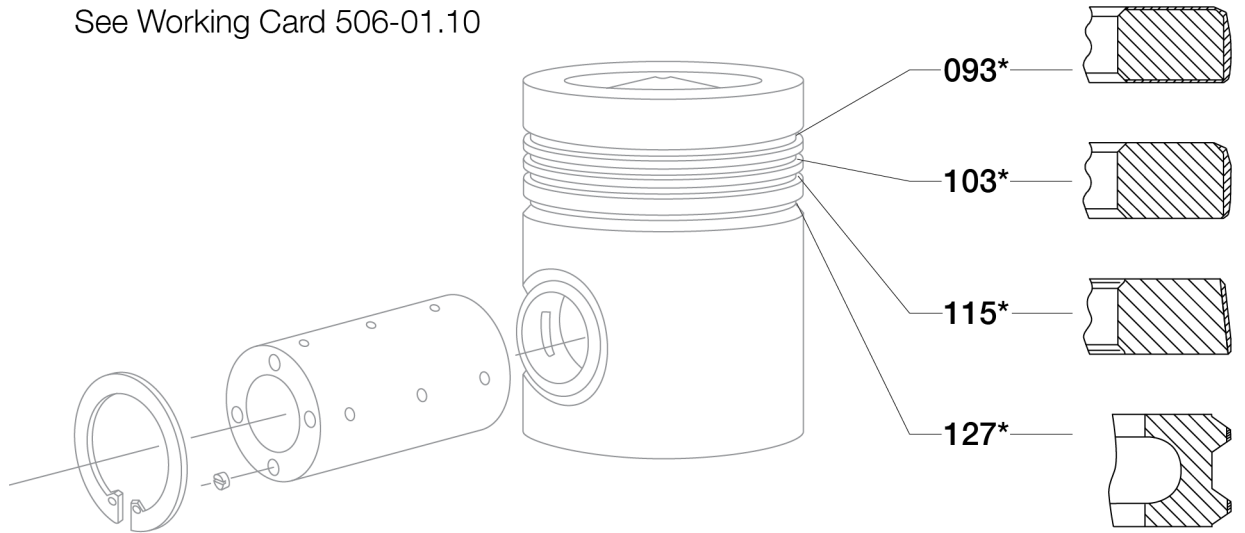
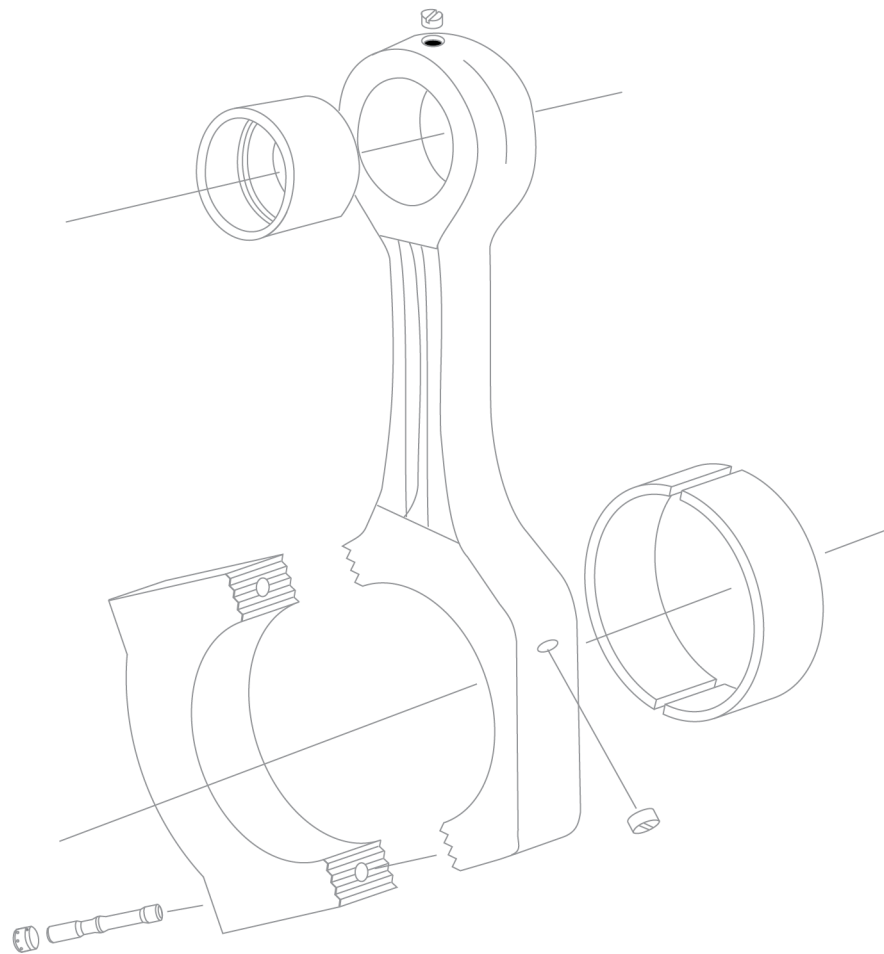


L23/30S, L23/30H

See Working Card 506-01.10



* Please order item 119



P51706-14	Kit for renewal of piston rings	Spare Part Kit Plate Page 2 (2)
-----------	--	------------------------------------

L23/30S, L23/30H

Item No.	Qty	Item Designation	Where to find in the engine instruction book	
119 ¹⁾	1/C	Kit for renewal of piston rings complete, consisting of:		
	1	Piston ring	P50601	093
	1	Piston ring	P50601	103
	1	Piston ring	P50601	115
	1	Oil scraper ring	P50601	127

When ordering spare parts, see also page 500.50/600.50/Preface.

* = Only available as part of a spare parts kit/not available separately

Qty/C = Qty/Cylinder

Note

¹⁾ Please note that this is a kit supply and that any exceeding number of O-rings and gaskets are not accepted as return goods