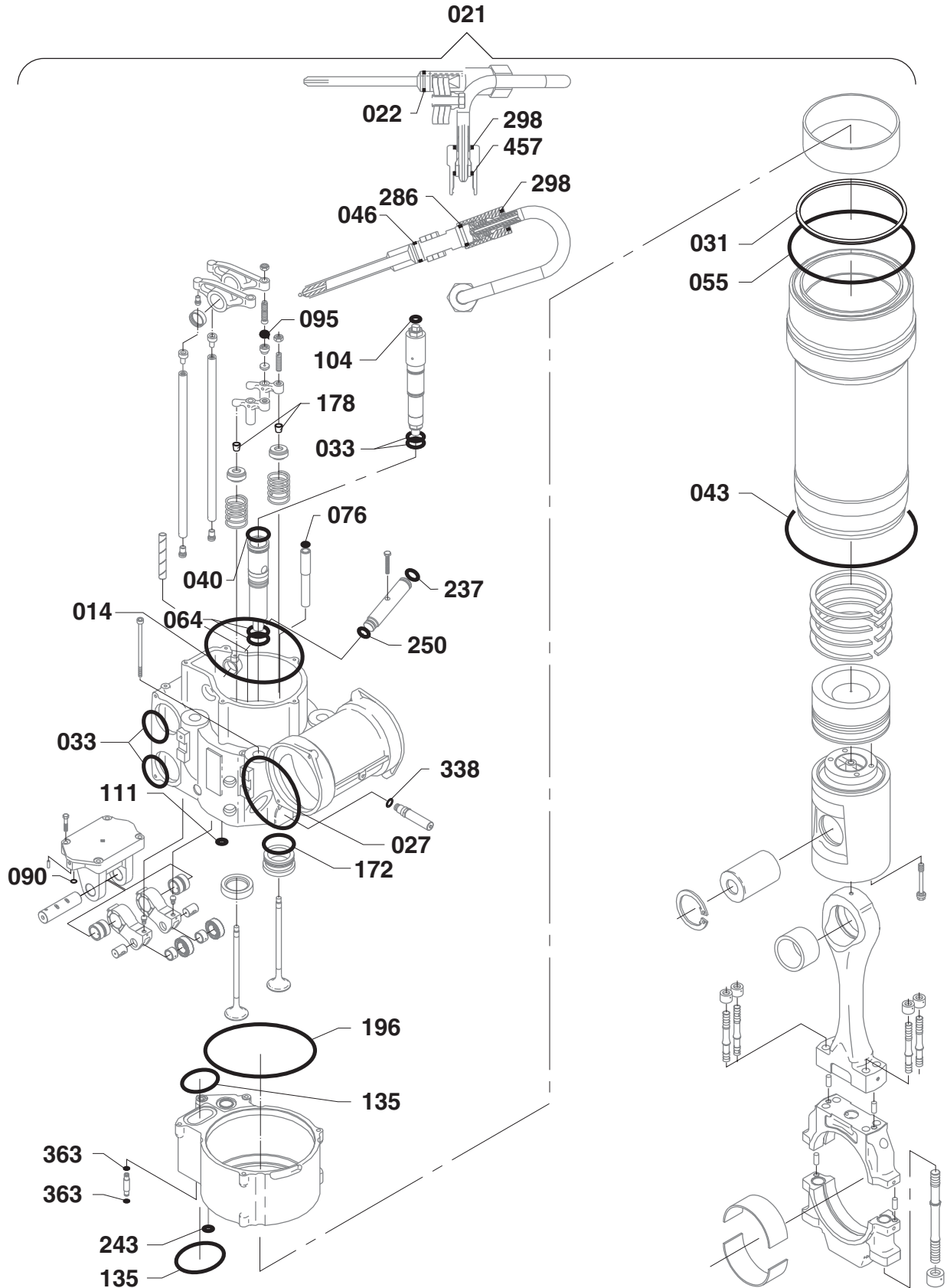


L27/38



51704-01

Kit for Cylinder Unit

Plate
Page 2 (2)

L27/38

Item no	Qty	Designation	Where to find in the engine instruction book	
021		Kit for cylinder unit, complete consisting of:		
	1	O-ring	Plate 50501	Item 040
	2	O-ring	Plate 50501	Item 064
	4	O-ring	Plate 50501	Item 076
	2	O-ring	Plate 50501	Item 111
	2	O-ring	Plate 50501	Item 135
	2	O-ring	Plate 50501	Item 172
	1	O-ring	Plate 50501	Item 196
	2	O-ring	Plate 50501	Item 243
	1	Gasket	Plate 50501	Item 338
	2	O-ring	Plate 50501	Item 363
	2	Circlip	Plate 50502	Item 095
	4	Conical ring 2/2	Plate 50502	Item 178
	1	O-ring	Plate 50502	Item 237
	1	O-ring	Plate 50502	Item 250
	1	O-ring	Plate 50510	Item 014
	1	Sealing ring	Plate 50610	Item 031
	1	O-ring	Plate 50610	Item 043
	1	O-ring	Plate 50610	Item 055
	1	O-ring	Plate 50801	Item 090
	3	O-ring	Plate 51230	Item 027
	1	O-ring	Plate 51401	Item 457
	2	O-ring	Plate 51402	Item 033
	1	O-ring	Plate 51402	Item 104
	1	O-ring	Plate 51404	Item 022
	1	O-ring	Plate 51404	Item 046
	1	O-ring	Plate 51404	Item 286
	2	O-ring	Plate 51404	Item 298
	6	Seal ring	Plate 51630	Item 033
		Please Note that this is a kit supply, and that any exceeding number of o-rings and gaskets are not accepted as return goods.		