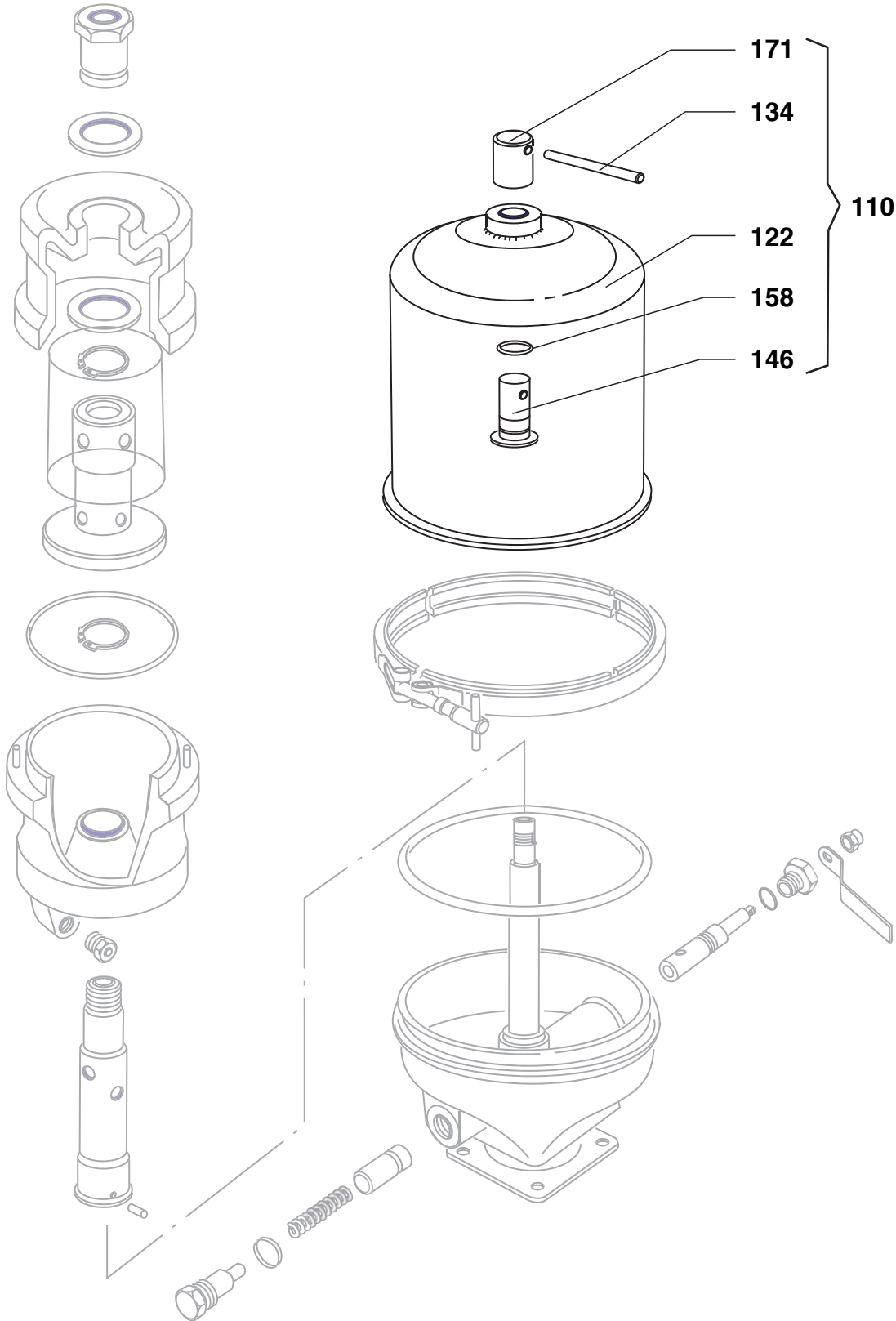


Kit Page 1 (2)	<b>Kit for Cover, Centrifugal By-pass Filter</b>	<b>51715-01</b>
-------------------	--	-----------------

**L27/38**  
**L21/31**

See Working Card 515-15.00



08028-0D/H5250/94.08.12

51715-01	<b>Kit for Cover, Centrifugal By-pass Filter</b>	Kit Page 2 (2)
----------	--	-------------------

**L27/38**  
**L21/31**

Item No	Qty	Designation	Where to find in the engine instruction book	
110	1/F	Cover, complete incl item 122, 134, 146, 158, 171	Plate 51515	
	1/F	Cover	Plate 51515	Item 122
	1/F	Cover nut pin	Plate 51515	Item 134
	1/F	Cover fixing nut	Plate 51515	Item 146
	1/F	Cover nut O-ring	Plate 51515	Item 158
	1/F	Cover nut collar	Plate 51515	Item 171
<i>Please Note</i> that this is a kit supply, and that any exceeding number of o-rings and gaskets are not accepted as return goods.				

Qty/F = Qty/Filter