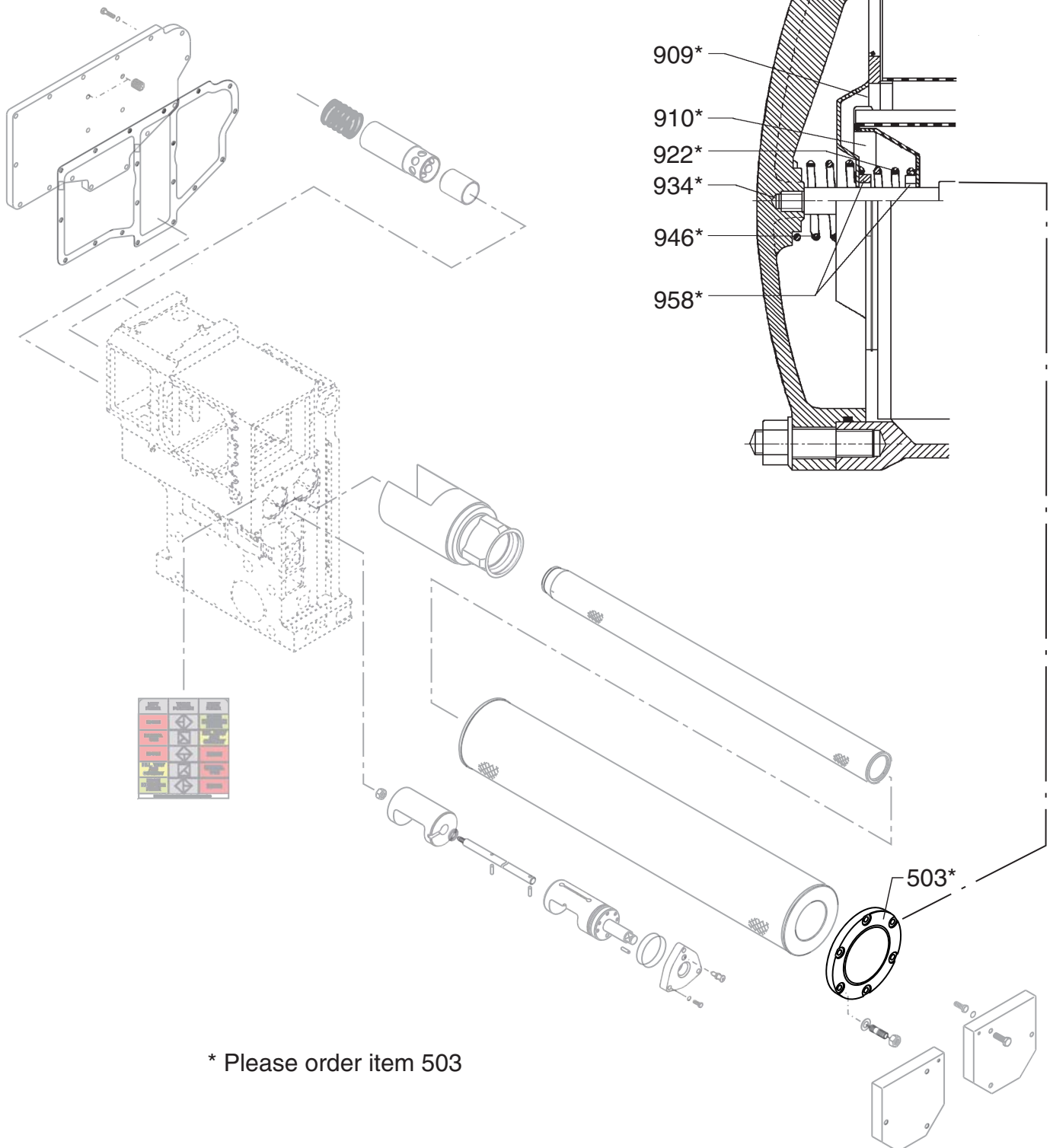


L27/38

See Working Card 515-01.10



* Please order item 503

51725-01	Kit for High- and Low Temperature Freshwater Pumps	Kit Page 2 (2)
-----------------	---	-------------------

L27/38

Item No	Qty	Designation	Where to find in the engine instruction book	
503	1/E	Cover, incl item 909, 910, 922, 934, 946, 958, 971, 983	Plate 51502	
	2/F	Flange	Plate 51502	Item 909
	2/F	Flange	Plate 51502	Item 910
	2/F	Spring	Plate 51502	Item 922
	2/F	Screw	Plate 51502	Item 934
	2/F	Spring	Plate 51502	Item 946
	4/F	O-ring	Plate 51502	Item 958
	2/F	O-ring	Plate 51502	Item 971
	8/F	Seal	Plate 51502	Item 983
<p><i>Please Note</i> that this is a kit supply, and that any exceeding number of o-rings and gaskets are not accepted as return goods.</p>				

Qty/E = Qty/Engine
Qty/F = Qty/Filer