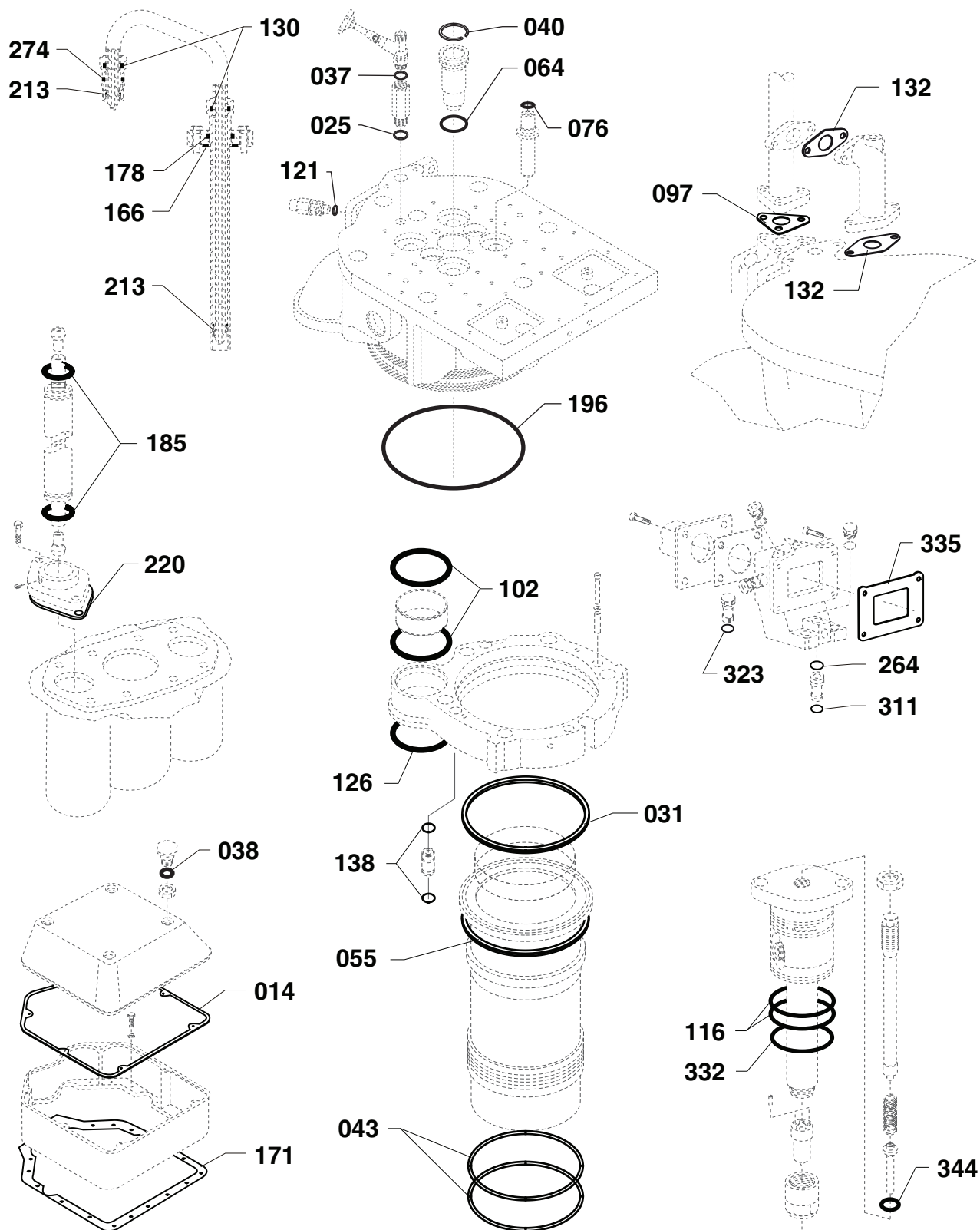


Kit Page 1 (2)	Kit for Cylinder Unit	51704-19
-------------------	------------------------------	-----------------

V28/32S



51704-19

Kit for Cylinder Unit

Kit
Page 2 (2)

V28/32S

Item no	Qty	Designation	Where to find in the engine instruction book	
021		Kit per cylinder unit, consisting of:		
	1	Snap ring	Plate 50501	Item 040
	1	O-ring	Plate 50501	Item 064
	4	O-ring	Plate 50501	Item 076
	2	O-ring	Plate 50501	Item 196
	3	Gasket	Plate 50508	Item 025
	1	Gasket	Plate 50508	Item 037
	1	Gasket	Plate 50508	Item 121
	1	Gasket	Plate 50510	Item 014
	4	O-ring	Plate 50510	Item 038
	1	Gasket	Plate 50510	Item 171
	1	Sealing ring	Plate 50610	Item 031
	2	O-ring	Plate 50610	Item 043
	1	Sealing ring	Plate 50610	Item 055
	2	O-ring	Plate 50610	Item 102
	1	O-ring	Plate 50610	Item 126
	12	O-ring	Plate 50610	Item 138
	4	Sealing ring	Plate 50801	Item 185
	2	Gasket	Plate 50801	Item 220
	1	O-ring	Plate 51202	Item 264
	1	O-ring	Plate 51202	Item 311
	2	Gasket	Plate 51202	Item 323
	1	Gasket	Plate 51202	Item 335
	2	O-ring	Plate 51402	Item 116
	1	O-ring	Plate 51402	Item 332
	1	O-ring	Plate 51402	Item 344
	2	O-ring	Plate 51404	Item 130
	1	Sealing ring	Plate 51404	Item 166
	1	O-ring	Plate 51404	Item 178
	2	O-ring	Plate 51404	Item 213
	1	O-ring	Plate 51404	Item 274
	1	Gasket	Plate 51625	Item 097
	2	Gasket	Plate 51625	Item 132

Please Note
that this is a kit supply, and that any exceeding number of o-rings and gaskets are not accepted as return goods.